

MyCube

Single lever basin mixer XL without waste set

Surfaces: **Chrome** Article Number: **71012000**



Description

product features

- ComfortZone 190
- projection 166 mm
- normal spray
- flow rate at 3 bar: 5 l/min
- ceramic cartridge
- temperature limitation adjustable
- suitable for continuous flow water heaters
- connection type: G 3/8 connections
- connection dimension: DN15
- P-IX 28113/IO
- ETA VA1.42/20391
- ACS 17 ACC LY 655, valide jusqu'au 20.06.2022

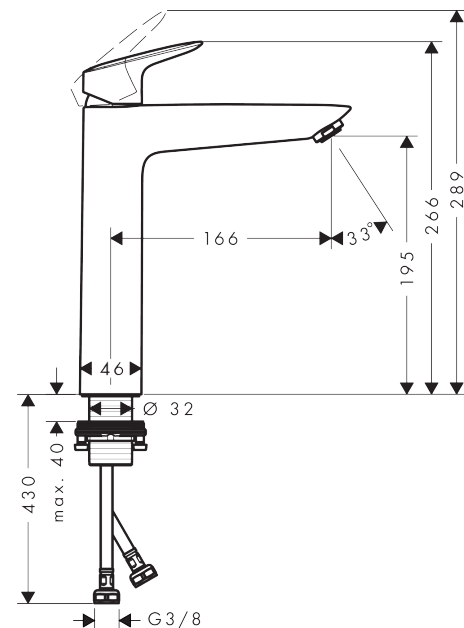
Technology



Product image



Scale drawing

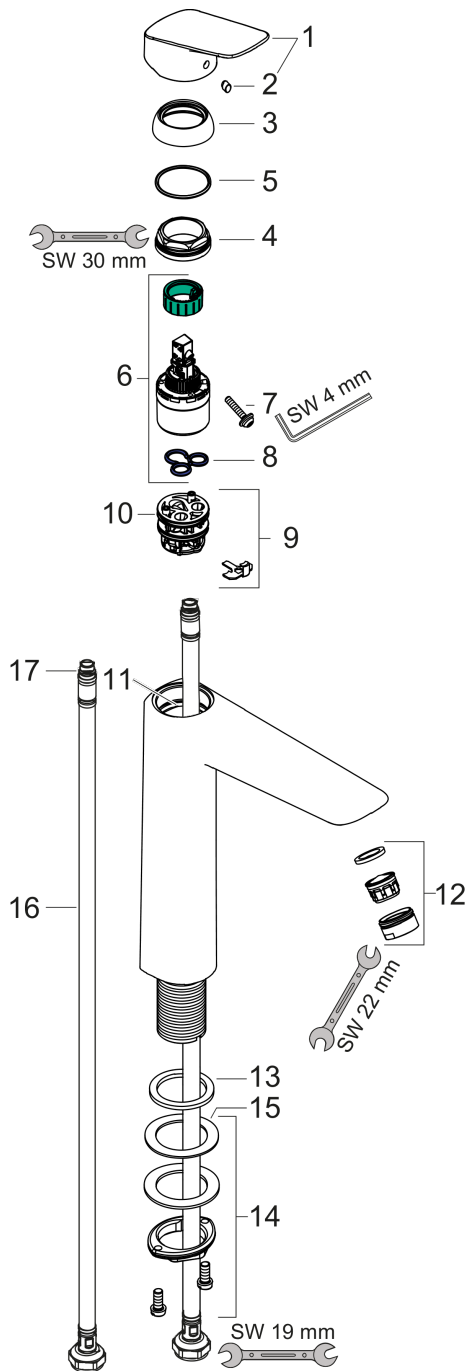


MyCube
Single lever basin mixer XL without waste set
 Surfaces: **Chrome** Article Number: **71012000**



Exploded Drawing

Year of production: >04/17



MyCube

Single lever basin mixer XL without waste set

Surfaces: **Chrome** Article Number: **71012000**



Spare part list

Year of production: >04/17

Pos.	Description	Article Number	PC	PU
1	handle	92224000	10	1
2	screw cover	96338000	1	1
3	flange	97406000	6	1
4	nut	97209000	5	1
5	O-Ring 32x2	98193000	1	1
6	O-ring 35x2	92604000	2	1
7	cartridge, assy	92730000	11	1
8	locking screw for handle	95140000	2	1
9	seal	95008000	3	1
10	adapter for cartridge	98750000	4	1
11	O-Ring 30x2	98186000	1	1
12	aerator M24x1 (5 l/min)	92372000	6	1
13	flat seal	98749000	2	1
14	fixing set (Ø 32)	13961000	7	1
15	lever collar	97548000	1	1
16	connection hose 600 mm M8x0,75 G3/8	96510000	7	1
17	O-ring 6,6x1,6	93019000	1	1
a	fixation extension 35 mm	13898000	12	1